

The VitaCarry[®] Advanced Pill Grinder

Care and Use Guide

Advanced Pill Grinder
Grinds pills to powder
with the push of a button.



VitaCarry[®]
ADVANCED PILL GRINDER

VARIANT
PRODUCTS

Your new Advanced Pill Grinder is a powerful tool. Please familiarize yourself with its' operation and features before you begin to use it.

Remove or Replace Back Cover

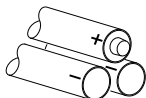
Always CONSULT YOUR PHYSICIAN BEFORE grinding any meds or supplements. DO NOT use with TIME RELEASE capsules, GEL CAPS or any pills with excessively hard coatings that could potentially damage the unit. Use this product for POWDER BASED PILLS and TABLETS ONLY.

Operation

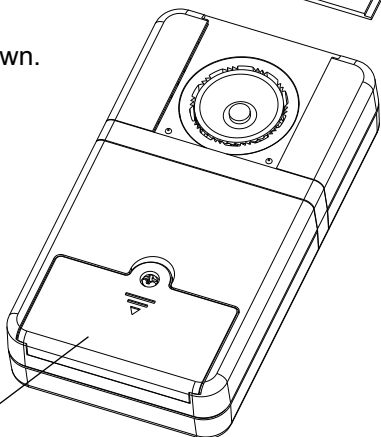
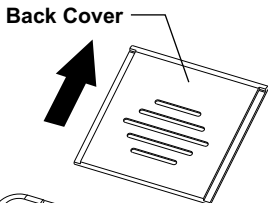
To begin, insert **3 AAA** Batteries in **Battery Compartment** as shown.

Remove **Back Cover** (BEFORE GRINDING) by sliding in the direction shown by the arrow.

Replace **Back Cover** (AFTER GRINDING) by sliding in the opposite direction of the arrow.



Battery Compartment
(3 AAA Not Included)



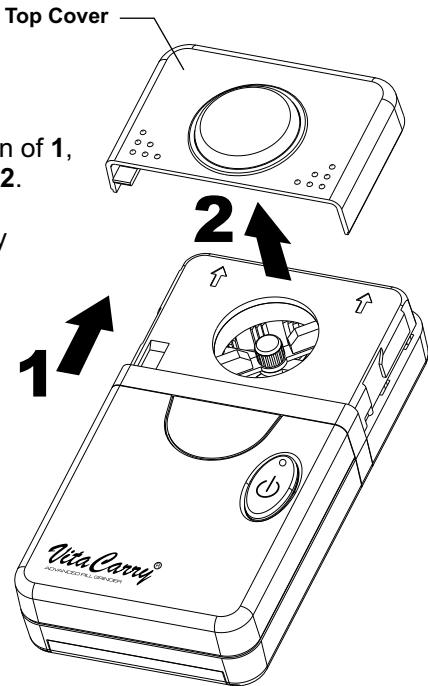
Operation

continued

Carefully remove **Top Cover** (TO **ACCESS PILL GRINDING CAVITY**) by sliding first slightly in the direction of **1**, then lift gently in the direction of **2**.

To replace the **Top Cover**, gently lower and slide in the opposite direction of **1** and into a locked position.

Remove or Replace Top Cover



Operation

continued

Inserting your pills

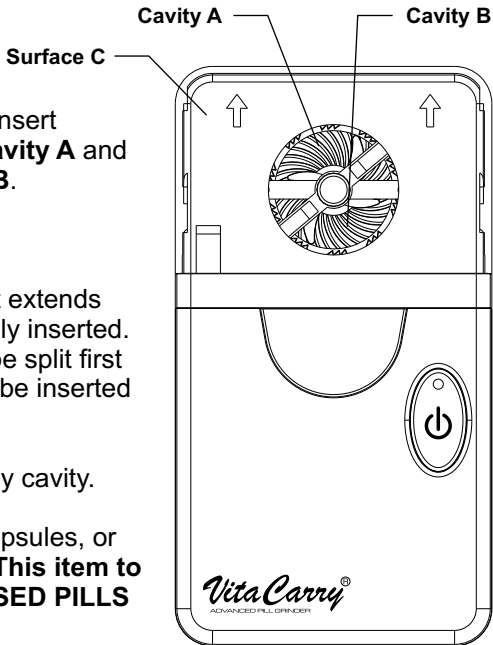
With **Top Cover** removed, insert up to one pill in Grinding **Cavity A** and one pill in Grinding **Cavity B**.

CAUTION

DO NOT insert any pill that extends beyond **Surface C** when fully inserted. If a pill is too big, it should be split first and the smaller pieces can be inserted to be ground.

DO NOT force any pill in any cavity.

DO NOT insert gel caps, capsules, or pills in secondary casings. **This item to be used for POWDER BASED PILLS only.**



Operation

continued

With **Top Cover** replaced and pills in the **Grinding Cavities**, you are ready to begin grinding.

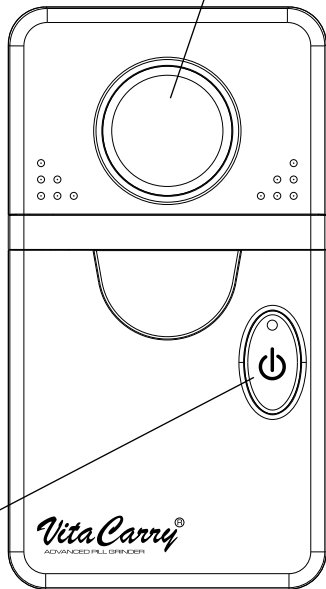
Hold the Grinder over an area or you wish to dispense to. (e.g. a container or plate of food) Press the **Power On/Off** button once to begin grinding. View through the **Viewing Window**.

When the operation is complete, press the **Power On/Off** button once more and wait for the machine to finish by rotating to its' home position.

Replace **Back Cover** for storage.

Grinding your pills

Viewing Window



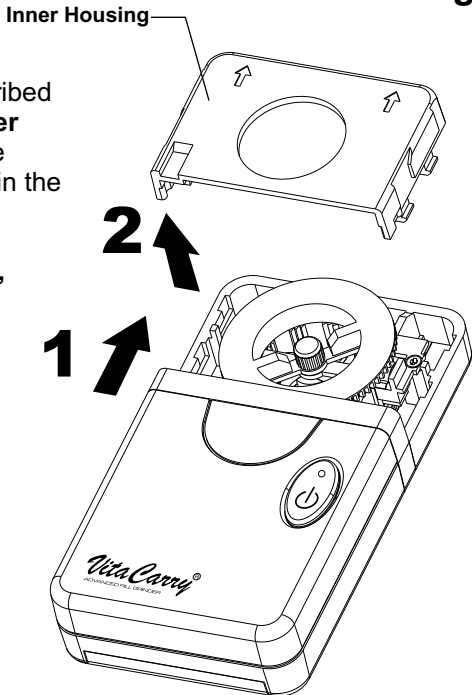
Power On/Off

Cleaning

Remove **Top Cover** as described earlier. Carefully remove **Inner Housing** by sliding first in the direction of **1**, then lift gently in the direction of **2**.

To replace the Inner Housing, gently lower and slide in the opposite direction of **1** and into a locked position.

Remove or replace Inner Housing



Cleaning

continued

Remove Cutting Gears

Cutting Gear Assembly

2

Decorative Strip

1

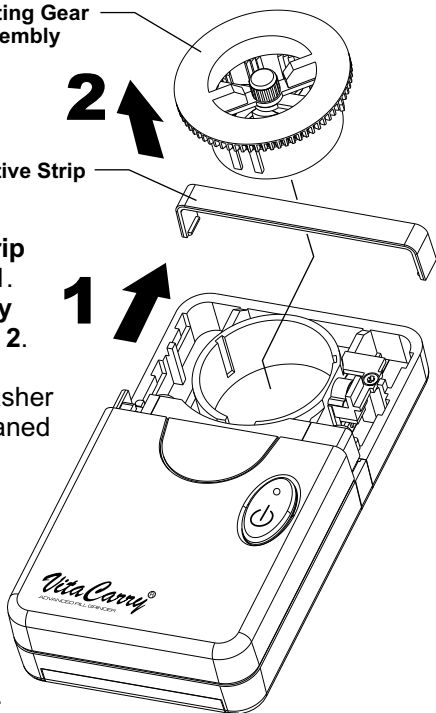
Carefully remove **Decorative Strip** by sliding first in the direction of 1. Remove **Cutting Gear Assembly** by gently lifting in the direction of 2.

Cutting Gear Assembly is dishwasher safe. It may also be carefully cleaned by hand with soap and water.

To assemble, reverse removal procedures for next use.

CAUTION

Cutting Gears are extremely sharp. Handle with extreme care.



VARIANT

PRODUCTS

Variant Products, Ltd.
Rochester, NY 14623 USA

www.variantproducts.com

sales@variantproducts.com

© Variant Products, Ltd.

VitaCarry® is a US registered trademark.
Designed in USA. Made in China.



Tested to comply
with FCC standards

QUALITY GUARANTEE

If your Grinder fails to operate as promised for any reason, return to Variant Products with proof of purchase within ninety days for repair or replacement at the company's option.